



**FOR IMMEDIATE RELEASE**

Honey Brook PA, March 18, 2010

Contact: Robert Hamm, Marketing Manager, R-V Industries, Inc.

Phone: 610-273-2457 ext. 229

E-mail: robh@rvii.com

“Nozzle Tips Are Hot”

To further enhance their position as a leading equipment supplier in the fossil power replacement parts markets, R-V Industries, Inc. of Honey Brook, PA, engineers have released another performance enhancing and cost saving OEM replacement upgrade.

By drawing from their 35+ years of experience in fabricating tens of thousands of fossil power replacements components for major electric utilities R-V has developed a proprietary self cooling nozzle tip for tangentially fired units. The Thermal Guard™ Nozzle tip extends the performance life of tangentially fired fossil power plants by drastically reducing thermal distortion of the plate work. The reduction of distortion allows for better control of combustion for a longer period of time.

Thermal Guard™ Nozzle design creates a thermal radiation barrier by capturing the auxiliary air, used in the combustion process, and directing it across the top and bottom of the exposed nozzle tip. This creates an air barrier across the body of the nozzle which drastically reduces temperature exposure from the boiler. The coal nozzle will have a greater service life guarded from thermal distortion.

R-V's Thermal Guard™ Series coal nozzle tips have other value engineering built in; Contoured corners reduce buildup of coal and slag. Shielded corner welds are protected from direct boiler radiation. Inner annuluses are solidly welded for rigidity. Various erosion protections are available.

R-V's Thermal Guard™ Series design is also available for tangential oil and gas fired power plants, air nozzles, and over fired air nozzles. Reduce maintenance outages by extending the service life your nozzles.

R-V's diversification in major industries and their focus on “superior products and service at a competitive price” has enabled them to remain stable despite the poor economy. R-V's business model, quality and employee work ethic have helped them develop into a trusted partner for numerous Fortune 500 companies. It has also enabled them to earn awards for multi-million dollar projects over competitors who are much larger.

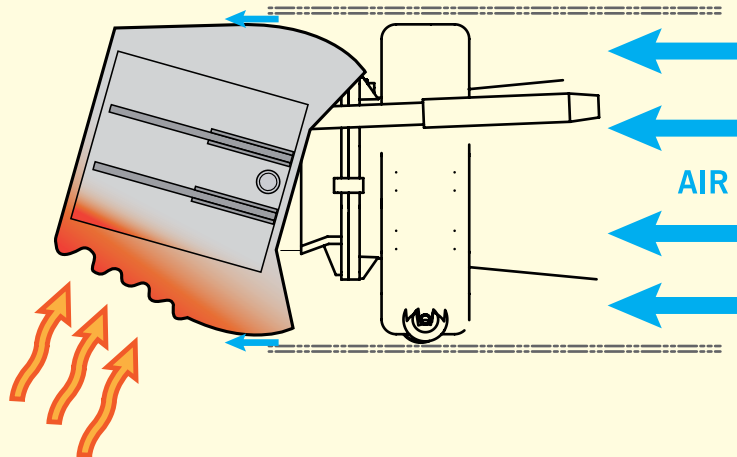
R-V, a supplier of industrial processing equipment and systems, provides companies around the world with a high quality products and services. R-V specializes in the bio/pharma/research, food & beverage, fossil power, nuclear, oil and gas, chemical, and paper industries. You can learn more about the company by visiting their website, [www.rvii.com](http://www.rvii.com). For more information, contact:

Rob Hamm  
Marketing Director  
610 – 273 – 2457 Ext. 229  
RobH@rvii.com





### OEM Problem

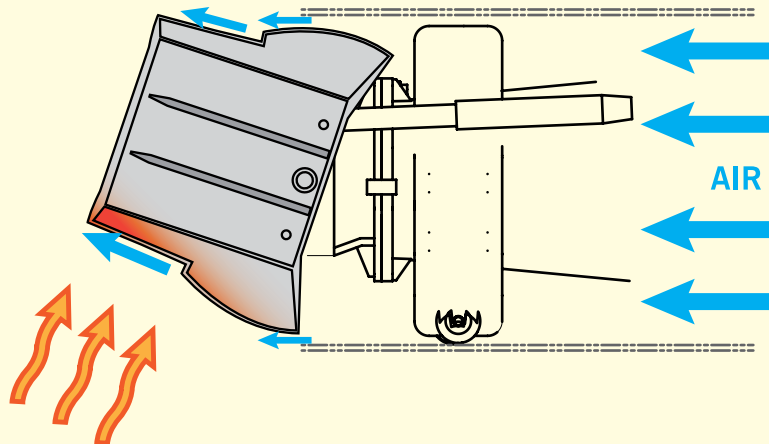


#### Typical OEM Design

Tilting results in loss of radiation protection and accelerated outer shell thermal distortion.

### THERMAL GUARD<sup>TM</sup> Solution

Superior Distortion Protection



R-V's **Thermal-Guard Outer Shell Design** directs high velocity boundary air over exposed surfaces, increasing radiation protection as tips are tilted, reducing the temperature gradient across plates.