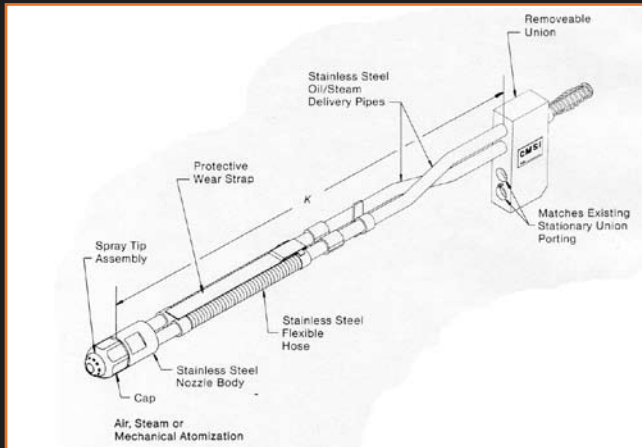
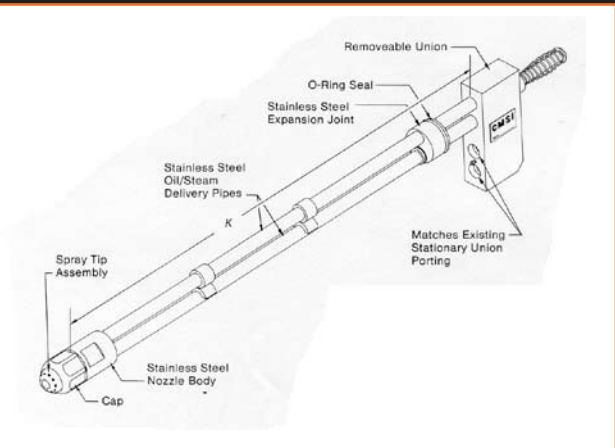


Double Barrel Oil Guns



Double-barrel (DT-SS)
oil gun for tilting applications



Double-barrel (DH-SS)
oil gun for non-tilting applications

Description:

The R-V double barrel oil gun utilizes two parallel stainless steel pipes for oil and steam (air) delivery (or oil return) to the mixing and spray tips. These smaller diameter pipes allow greater working pressure, greater safety ratio of allowable to actual working pressure, and result in a much lighter oil gun. Seal welding to both the removable union and the nozzle body eliminates threaded joints and the possibility of leaks as in concentric pipe designs. The flexible stainless steel hoses on the DT-SS gun are provided to accommodate the tilting capabilities. The hoses are protected from abrasion on top and bottom by stainless spring steel wear straps. Custom hoses are available for the DH-SS gun.

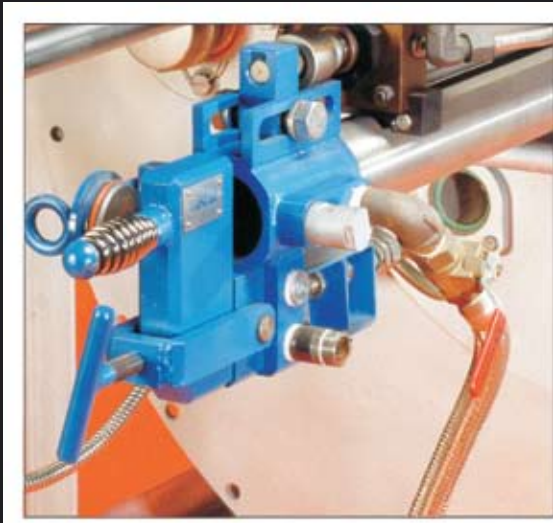
The removable union is machined from solid steel bar, eliminating the porosity and internal leakage possible with machined castings. The stainless steel nozzle body is constructed to match mixing plate, spray plate, and cap nuts currently in use.

Benefits:

- Twin parallel pipes for oil and steam delivery minimize heat transfer and possible chilling of the steam line.
- Elimination of castings and large diameter piping reduces weight and handling.
- Smaller diameter piping allows higher working pressures.
- Small diameter flexible hose has shorter bend radius, increasing longevity.
- Stainless steel pipe, flexible hose and nozzle body construction produce extended life.
- Directly interchangeable with existing concentric style oil guns.
- Requires no modification of supply piping or stationary unions.

Oil Gun Related Components

R-V also offers a variety of oil gun replacement components for OEM's such as ABB-CE, B&W, Peabody, Forney, and Todd.



Stationary Union Assembly
on end of Retractable Oil Gun



Removable Union

