

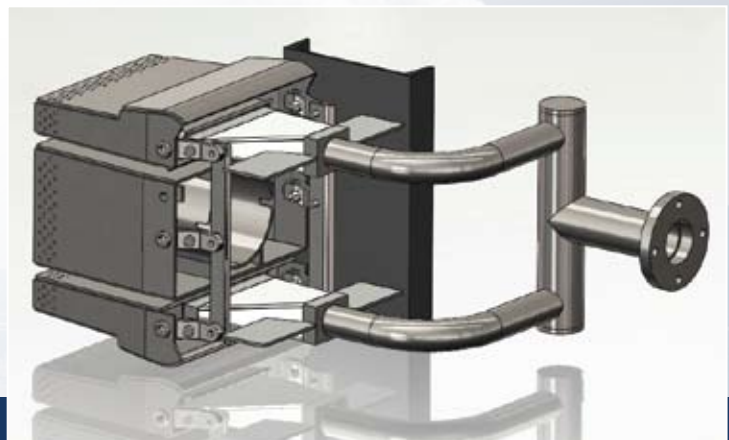


CONVERTING TO NATURAL GAS

While the natural gas supplies increase and clean air restrictions become more stringent, an increasing number of plants are converting or adding natural gas firing. Benefits include:

- Reduced fuel cost
- Emission reduction
- Reduced maintenance cost
- Easily adapted to existing units

R-V will design and manufacture the new natural gas firing system for your unit. In addition, we can package the scanners, side ignitors, valve train and control modifications required for your new gas firing system.



**TYPICAL R-V GAS COMPARTMENT ARRANGEMENT WITH
FIXED GAS SPUDS AND TILTING NOZZLE TIPS**

