



FURNACE AND PULVERIZER DOORS



Direct Replacements and Custom Sizes

R-V offers a full line of furnace, pulverizer, duct and windbox doors including direct replacements for many OEM designs. All furnace doors are available with seal boxes and tube panels as an option. Styles are adaptable to any OEM boiler design.

Observation Doors

- 4" x 10" and 6" x 12"
- 5 1/2" diameter
- 3" and 6" diameter for pressurized furnaces

Access Doors

- 15" x 21" oval
- Water-cooled
- Non-insulated
- Mineral wool or refractory insulated
- Pulverizer and windbox access doors
- Custom doors available



Hinged Access Door



15" x 21" Oval Access Door



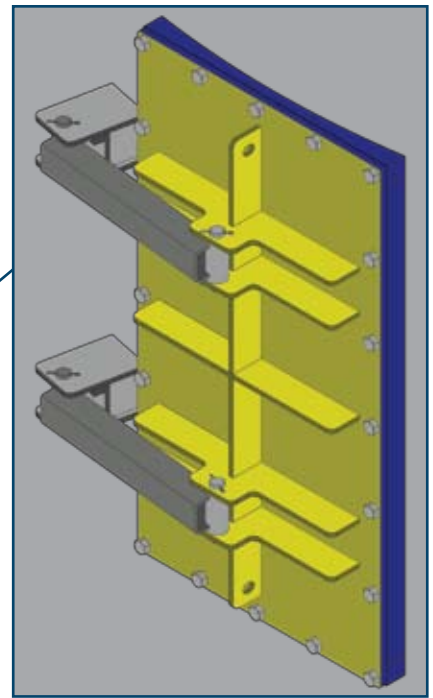
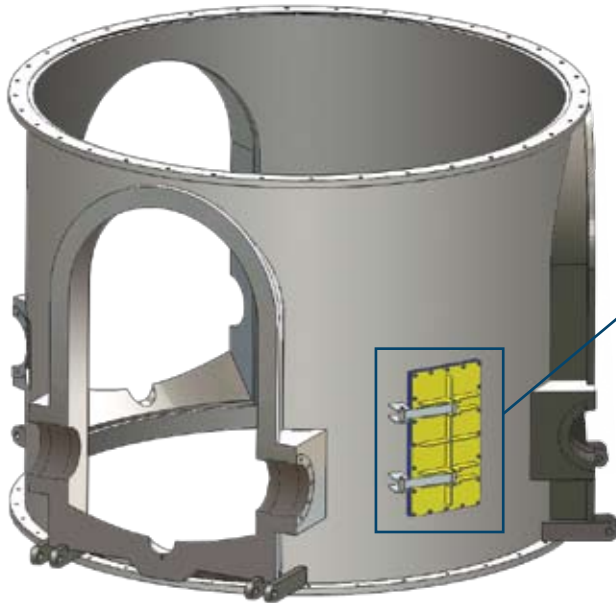
Observation Door for
Pressurized Furnace
3" and 6" Available





Pulverizer Access Doors

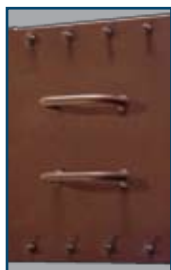
R-V's larger access door is designed to replace smaller existing doors.



Door is designed to NFPA pressure requirements

Windbox Side Access Doors

Compartment doors are insulated and provide access for inspection, tilt mechanism adjustment and maintenance.



Windbox Side Access Door

